



HD CCTV

HD Box Cameras p 58-59

HD Dome Camera p 60

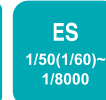
HD Bullet Camera p 61

HD Converter p 62

HD Digital Video Recorder p 63-64

NEW! EQH5200

2 Megapixel Full High Definition Box Style Color Camera



HD-CCTV

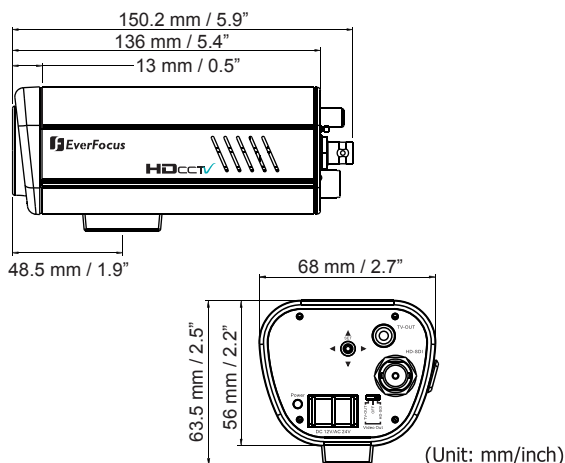
Features

- HD-CCTV 2 Megapixel real time 1080i HD video over coax
- SMPTE292m compliant
- 2 megapixel progressive scan CMOS sensor
- Field select video outputs of 720p or 1080i
- Lens Types: supports DC and manual iris lenses, CS mount (C mount adapter ring included)
- True day/night mode selectable with automatic ICR module
- Easy to use OSD setup menu
- Dual Video Output: Megapixel HD-CCTV (BNC) plus SD TV Out (RCA) active during installation and setup
- Dual Power Source 12VDC/24VAC operation
- Lens sold separately

Specifications

Pickup Device	1/2.5" 2 Megapixel CMOS sensor
Sensitivity	0.02 Lux/F=1.2 (AGC ON)
S/N Ratio	38.1 dB
Video Format Main Output	HD-CCTV (SMPTE292m)
Resolution Main Output	1920x1080, 2 Megapixel 1080i or 1280x720, 1 Megapixel 720p
Video Mode Main Output	Field select 1080i or 720p
Main Output Connector	BNC-F
Video Format Test Output	NTSC/PAL selectable 1V p-p (in test mode only)
Test Output Connector	RCA-F
Electronic Shutter	1/60(1/50)~1/8000
Lens Type	CS mount (Adapter included for C-mount) Lens sold separately
Lens Control	Supports DC or manual lens
Backlight Comp.	On/Off selectable
Auto Gain Control	High/Middle/Low/Off selectable
Auto White Balance	AWB/One Push WB/Manual WB/Indoor/Outdoor
Gamma Correction	Two settings: optimized for TV or PC display
Iris Control	Auto, -2.0EV~2.0EV
OSD Menu	Yes (controlled from rear 5-axis joystick control)
True Day/Night	Yes (Auto IR cut filter removal)
Mirror	H_MIR/V_MIR
Power Source	12VDC/24VAC
Power Consumption	12VDC: 6W max. / 24VAC: 6W max.
Dimensions (L x W x H)	146 x 68 x 56 mm / 5.7" x 2.7" x 2.2" (BNC socket included)
Weight	0.4 kg / 0.9 lbs
Operating Temperature	0°C ~ 45°C / 32°F ~ 113°F (20%~80% Humidity)
Certifications	FCC/CE

Dimensions



Ordering Information**

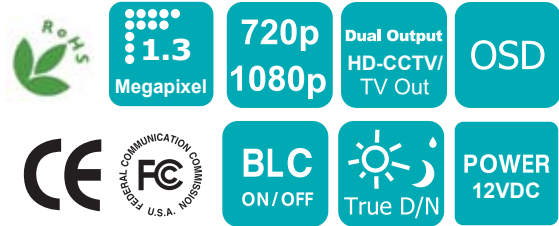
- **EQH5200:** 2MP HD Box Camera, 1080i/720p, 24VAC/12VDC True Day/Night

**** Check with your EverFocus sales rep for release date and availability**

* Models vary in different countries. Visit www.everfocus.com and select your country for accurate ordering information

EQH5000 NEW!

720p/1080p Full High Definition Day/Night Box Camera



HD CCTV

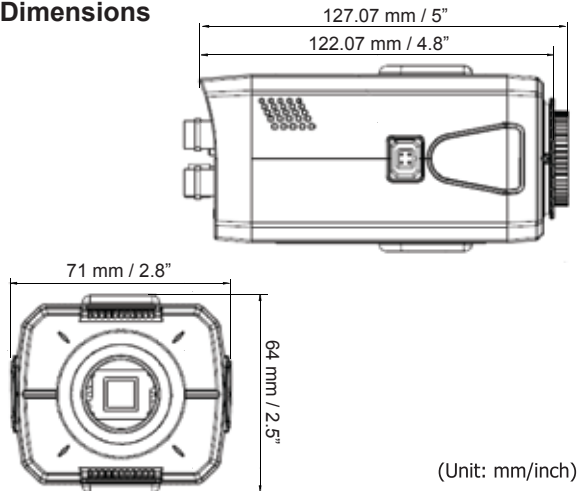
Features

- 1/3" Sony ExmorR Progressive Color CMOS
- 16:9 HD 1280x720 resolution at 720p (30 FPS) or 1280x1080 resolution at 1080p (30 FPS)
- HD-SDI (Serial Data Interface Type Video Output) BNC
- True mechanical Day/Night
- TV out (BNC) with NTSC/PAL selectable
- Supports CS/C-Mount
- OSD menu setting with multi-language support
- White Balance, Auto Gain Control & Backlight Compensation functions
- Lens sold separately

Specifications

Video Format	NTSC/PAL selectable (TV out)
Image Sensor	1/3" 1.3 Megapixel Sony ExmorR Progressive CMOS
Effective Pixels	1296x728 (30 FPS)
Unit Cell Size	3.75 um (H) x 3.75 um (V)
S/N Ratio	50 dB max.
Min. Illumination	1 Lux/F1.2
Day/Night	True mechanical day/night
Min. Exposure Time	110.86us (1/9020 sec)
Video Output Mode	SDI: 720P, 60 FPS (frame conversion) 1080P, 30 FPS (scale, center mode selectable)
OSD Menu	Yes with multi-language support
Flickerless	Off/50Hz/60Hz (selectable)
Backlight Comp.	On/Off
Auto Gain Control	Selectable
White Balance	Manual/Auto/Push (selectable)
OSD User Set	Up to 2 users
Language Support	English, French, Spanish, Japanese, Chinese
Digital Input	In/Out
Audio	In/Out
Communication Port	RS-485
Operating Temp.	-10°C ~ 50°C / 14°F ~ 122°F
Storage Temp.	-20°C ~ 70°C / -4°F ~ 158°F
Humidity	20~80% (operating), 20~95% (storage)
Power Source	12VDC ± 10%
Power Consumption	4.8W max
Dimensions (L x W x H)	127.07 x 71 x 64 mm / 5" x 2.8" x 2.5" (with C-Mount adaptor ring)
Weight	240 g / 0.53 lbs
Certification	CE, FCC

Dimensions



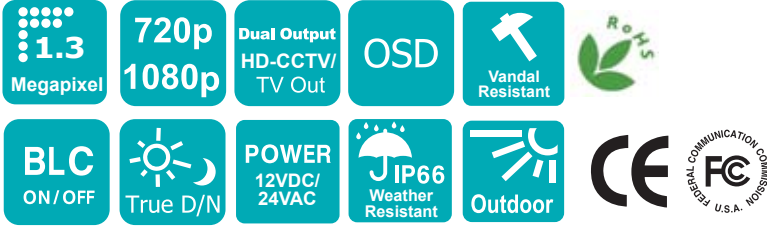
Ordering Information**

**** Check with your EverFocus sales rep for release date and availability**

* Models vary in different countries. Visit www.everfocus.com and select your country for accurate ordering information

NEW! EHH5040

720p/1080p Full High Definition Outdoor IR Vandal Dome



HD CCTV

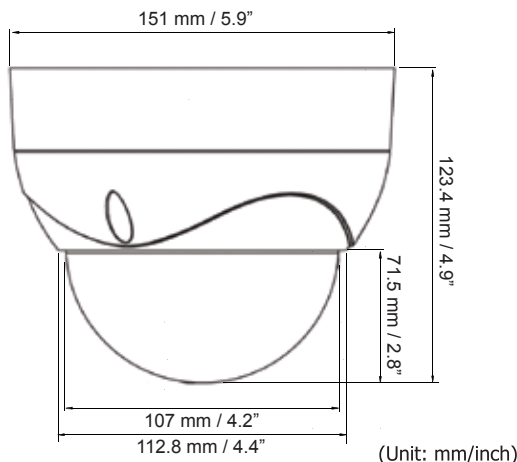
Features

- 1/3" Sony ExmorR Progressive Color CMOS
- 16:9 HD 1280x720 resolution at 720p (30 FPS) or 1280x1080 resolution at 1080p (30 FPS)
- HD-SDI (Serial Data Interface Type Video Output) BNC
- True mechanical Day/Night
- TV out (BNC) with NTSC/PAL selectable
- Equipped with megapixel 3-9mm vari-focal lens
- 3-axis gimbal design for wall or ceiling mounting with flexible angle viewing
- OSD menu setting with multi-language support
- Supports second video output for easy camera configuration
- 30 high illuminating IR LED lights
- IR distance up to 30 meters / 100 feet
- Polycarbonate dome shell & die-cast aluminum housing design to withstand intentional damage

Specifications

Video Format	NTSC/PAL selectable (TV out)
Image Sensor	1/3" 1.3 Megapixel Sony ExmorR Progressive CMOS
Effective Pixels	1296x728 (30 FPS)
Unit Cell Size	3.75 um (H) x 3.75 um (V)
S/N Ratio	50 dB max.
Min. Illumination	0 Lux (IR LED on)
Day/Night	True mechanical day/night
IR LED	30 IR LEDs
IR Wavelength	850 nm
IR Distance	Up to 30 meters / 100 feet
IR LED Operation	1 Lux (On), 3 Lux (Off)
Min. Exposure Time	110.86us (1/9020 sec)
Video Output Mode	SDI: 720P, 60 FPS (frame conversion) 1080P, 30 FPS (scale, center mode selectable)
Lens	Megapixel vari-focal 3-9 mm lens (F1.6)
OSD Menu	Yes with multi-language support
Flickerless	Off/50Hz/60Hz (selectable)
Backlight Comp.	On/Off
White Balance	Manual/Auto/Push (selectable)
Operating Temp.	-10°C ~ 50°C / 14°F ~ 122°F
Storage Temp.	-20°C ~ 70°C / -4°F ~ 158°F
Humidity	20~80% (operating), 20~95% (storage)
Power Source	12VDC/24VAC
Power Consumption	12VDC: 9W max. / 24VAC: 10.7W max.
Dimensions (W x H)	151 x 123.4 mm / 5.9" x 4.9"
Weight	870 kg / 1.91 lbs
Weather Resistant	Yes, IP66 rated
Certification	CE, FCC

Dimensions



Ordering Information**

**** Check with your EverFocus sales rep for release date and availability**

* Models vary in different countries. Visit www.everfocus.com and select your country for accurate ordering information

EZH5040 *NEW!*

720p/1080p Full High Definition Outdoor IR Bullet Camera



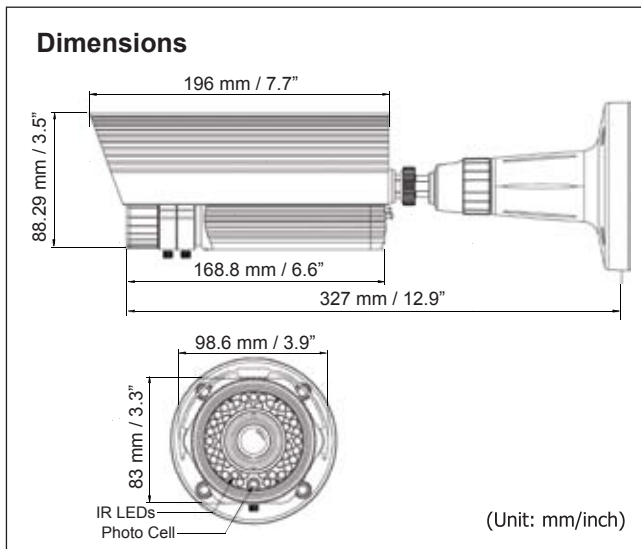
HD CCTV

Features

- 1/3" Sony ExmorR Progressive Color CMOS
- 1280x720 resolution at 720p (30 FPS) or 1280x1080 resolution at 1080p (30 FPS)
- HD-SDI (Serial Data Interface Type Video Output) BNC
- True mechanical Day/Night
- TV out (BNC) with NTSC/PAL selectable
- External megapixel lens controller for quick & easy lens zoom & focus (3-9mm vari-focal)
- OSD menu setting with built-in joystick controller
- Supports second video output for easy camera configuration
- 45 high illuminating IR LED lights
- IR distance up to 45 meters / 150 feet
- Weather resistant IP66 rated
- 12VDC/24VAC dual voltage

Specifications

Video Format	NTSC/PAL selectable (TV out)
Image Sensor	1/3" 1.3 Megapixel Sony ExmorR Progressive CMOS
Effective Pixels	1296x728 (30 FPS)
Unit Cell Size	3.75 um (H) x 3.75 um (V)
S/N Ratio	50 dB max.
Min. Illumination	0 Lux (IR LED on)
Day/Night	True mechanical day/night
IR LED	45 IR LEDs
IR Wavelength	850 nm
IR Distance	Up to 45 meters / 150 feet
IR LED Operation	1 Lux (On), 3 Lux (Off)
Min. Exposure Time	110.86us (1/9020 sec)
Video Output Mode	SDI: 720P, 60 FPS (frame conversion) 1080P, 30 FPS (scale, center mode selectable)
Lens	Megapixel vari-focal 3-9 mm lens (F1.6)
OSD Menu	Built-in with joystick controller
Flickerless	Off/50Hz/60Hz (selectable)
Backlight Comp.	On/Off
White Balance	Manual/Auto/Push (selectable)
Operating Temp.	-10°C ~ 50°C / 14°F ~ 122°F
Storage Temp.	-20°C ~ 70°C / -4°F ~ 158°F
Humidity	20~80% (operating), 20~95% (storage)
Power Source	12VDC/24VAC
Power Consumption	12VDC: 13.2W max. / 24VDC: 12W max.
Dimensions (L x W x H)	196 x 98.6 x 88.29 mm / 7.7" x 3.9" x 3.5" (with sunshield, w/out bracket)
Weight	1.37 kg / 3.02 lbs
Weather Resistant	Yes, IP66 rated
Certification	CE, FCC



Ordering Information**

*** Check with your EverFocus sales rep for release date and availability*

* Models vary in different countries. Visit www.everfocus.com and select your country for accurate ordering information

NEW! EHA-SRX HD-SDI to HDMI Converter



HD CCTV

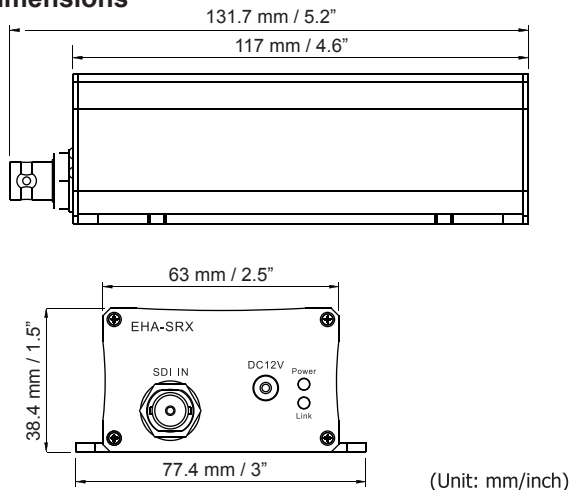
Features

- Supports HD CCTV high definition HD-SDI digital video at 720p (60 FPS), 1080i (60 FPS) and 1080p (30 FPS)
- 1.485 GB/s data processing rate for HD-SDI
- Integrated cable equalizer for long distance video transmission without loss of video quality
- High quality digital video and audio transmission with zero latency
- Supports standard HDMI output for HD TV monitor display
- Receive HD CCTV digital video over coaxial cable at up to 120 meters / 400 feet of distance

Specifications

SDI Standards	HD-SDI
Video Bandwidth	1.485 Gbps
Video Support	720p at 50/59.94/60Hz 1080i at 50/59.94/60Hz 1080p at 24/30Hz
Input Signal	HD-SDI: SMPTE292M, SMPTE296M
Output Signal	HDMI
Cable Equalization	Up to 120M/400 ft
Input Connector	1x BNC (HD-SD) 3G 75 ohm interlocked socket
Output Connector	1x HDMI Type A (19-pin female)
Housing Material	Metal Case
Dimensions (L x W x H)	117 x 77.4 x 38.4 mm / 4.6" x 3" x 1.5"
Weight	200 g / 0.45 lbs
Power Source	12VDC
Power Consumption	2W max.
Operating Temp.	0°C ~ 50°C / 32°F ~ 122°F
Humidity	20~80% humidity

Dimensions



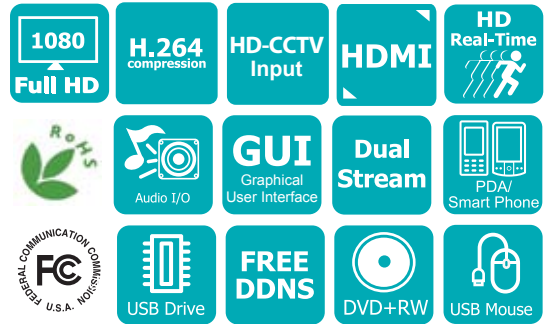
Ordering Information**

**** Check with your EverFocus sales rep for release date and availability**

* Models vary in different countries. Visit www.everfocus.com and select your country for accurate ordering information

EPHD08 *NEW!* PARAGON® HD

8 Channel High Definition Real-Time Recording & Playback
Megapixel Video over Coax



HD CCTV

Features

- Choice of 1080p or 720p HD CCTV camera support for superlative image clarity
- SMTPE292M compliant
- H.264 compression format for efficient recording
- HD real time recording rate and playback rate for all cameras (at 720p)
- HDMI 1080p and VGA multiplex view main monitor outputs
- Simultaneous high resolution recording (1080p/720p) with reduced bandwidth remote view streaming
- MobileView support: check your home or business on-the-go from your PDA or SmartPhone. Also supports Safari®, iPhone® and Android™ apps
- Pentaplex operation (simultaneous live, recording, playback, archiving and remote viewing)
- Free EverFocus DDNS service – static IP address is not required for reliable remote access
- User friendly GUI with graphical icons and visual indicators
- Support for 4 fixed internal HDD and eSATA external HDD
- Multiple control inputs: mouse/front panel/IR remote controller/EKB500 keyboard
- Express setup: a unique menu option for quick & easy installation
- Express archive: archive video instantly (to USB) while playing back
- Express playback: simply point, click and drag the playback bar to view desired recordings
- Express search: use the intuitive playback bar with simple drag & drop operations
- Smart Search: quickly identify motion in areas of interest from recorded video
- Snapshot search: extract images from recorded video at specific intervals to quickly locate events
- Remote configuration support from the built-in web interface
- Gigabit Ethernet interface for remote network viewing and control
- On-screen PTZ control via mouse or front panel
- Per channel audio recording capabilities
- Built-in DVD burner
- 3 USB 2.0 ports for video archive and mouse usage
- Multi-language support
- 19" rack mountable – rack ears included

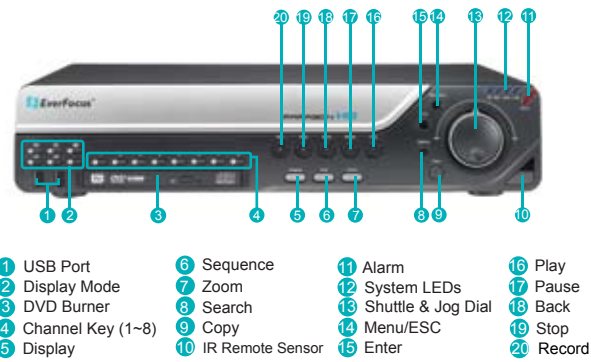
* Models vary in different countries. Visit www.everfocus.com and select your country for accurate ordering information

Specifications

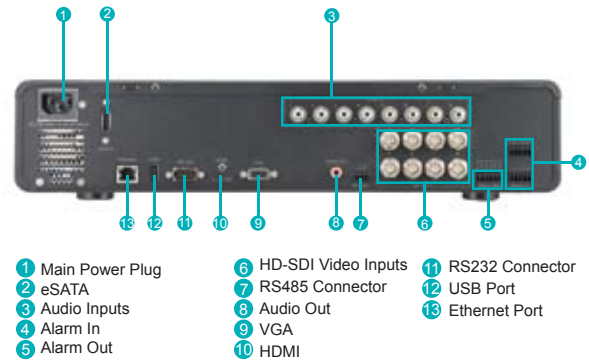
HD-CCTV Camera Video Inputs	8 BNC connectors (SMTPE292M)
Recording & Playback Rate/Resolution	120/100 FPS @ 1080p - 15/12.5 per channel (NTSC/PAL) 240/200 FPS @ 720p - 30/25 per channel (NTSC/PAL)
Recording Compression	H.264
Dual Streaming	Yes, conserves remote viewing bandwidth
Mobile Viewing on PDA/Smartphone	Yes, various platforms and browsers supported
Pentaplex Operation	Simultaneous Live, Recording, Playback, Archive and Remote Viewing
Video Output	Main Monitor 1080p HDMI socket (Type A 19 pin F) VGA: 1920x1080 @ 60Hz (D-Sub socket 15 pin F)
Audio Input/Output (RCA)	8 Inputs / 1 Output
Recording Mode	Manual, Schedule and Event
Playback Search	Date/Time & Event Search, Smart Search, Snapshot Search
Alarm In	8 Alarm Inputs
Alarm Out	2 Alarm Outputs – Form "C" rated at 30VDC, 1A
Video Pause	Yes
Video Loss Detection	Yes
Motion Detection	Yes
Event Log	Yes
Watch Dog Timer	Yes
Internal HDD	4 Internal HDDs
External HDD	1 eSATA
Built-in DVD Burner	Slim Type DVD Burner
User Interface	GUI (Graphical User Interface – easy mouse or front panel navigation)
OS	Embedded Linux
Network/Protocol	Gigabit Ethernet, TCP-IP/DHCP/PPPoE/DDNS/UDP/SMTP/SSL/HTTP
USB	3 USB 2.0 port (2 on Front Panel, 1 on Back Panel)
Schedule Setting	Supports Express and Advanced Schedule Setting
User Access	3 Levels of User Access Support
RS-232	9-pin D-Sub socket (male)
RS-485	1 RS485 (3 Terminal connector)
Power Source	100VAC~240VAC
Power Consumption	130 W max. with 4x HDDs
Dimensions (L x W x H)	410 x 430 x 88 mm / 16.2" x 16.9" x 3.5"
Temperature	0°C~40°C / 32°F~104°F (20~80% humidity)
Certificates	CE, FCC, UL (pending)
Supported PTZ Protocols	EverFocus, Pelco D, Pelco P, Samsung, Transparent

Major Operating Controls

Front Panel Design



Back Panel Design



*Front & back panel controls vary depending on models

Advantages

Stunning HD Clarity with Existing Coaxial

Get uncompressed full motion MEGAPIXEL DIGITAL video back to the EPHD08 over standard coaxial cable¹! Attach familiar BNC connectors on the HD-CCTV cameras and Paragon® HD EPHD08 DVR, then display live and recorded images in astounding detail on the HDMI main monitor screen. HD 1080p with 6 times the resolution of traditional cameras delivers the ability to zoom with clarity. HD images from these cameras are so detailed, each sends a 1.5Gb/s SMPTE292m uncompressed digital video signal over the coax; the Paragon® HD EPHD08 DVR can process the total of 12Gb/s from 8 cameras for live HD viewing and H.264 HD recording at 1080p (~2 megapixel @ 15 FPS/camera) or 720p (~1 megapixel @ 30 FPS/camera). Dedicated mega-bandwidth coax signal paths from each HD camera to the HD DVR eliminate the need for compression, addressing, and complex network design.

¹Up to 500' nominal on RG59; more with lower loss cable and/or optional repeaters



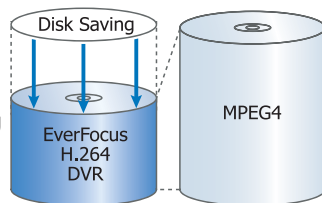
High Definition



Standard Definition

H.264 Compression Technology

H.264 compression technology is considered to be approximately 1.5 times more efficient in compression ratio than MPEG4. Another benefit from H.264 compression is the remote viewing of high quality images with lower LAN/WAN bandwidth utilization.



Video Streaming to Mobile Devices

The Paragon® HD EPHD08 DVR supports HTTP real time streaming for MAC Safari, FireFox and Opera on PCs, plus mobile monitoring, allowing you the capability to check your home or business on-the-go directly from a variety of web capable mobile devices – FREE! No additional servers or purchased programs required. EverFocus also offers a FREE MobileFocus app for iPhone® & Android™



Powerful Search with Smart Functions

By selecting among playback from a specific date and time; a list generated automatically in response to various types of alarms and events; or based on a 'Smart Search' review of recorded video to identify motion in area(s) of interest, users can quickly isolate incidents and play back relevant video for efficient review of significant activities.

Ordering Information**

** Check with your EverFocus sales rep for release date and availability

* Models vary in different countries. Visit www.everfocus.com and select your country for accurate ordering information